



Vehicle Model: **G70**

Model Year	2019~
Part No.	G9F45 AU000 (DIO) G9F45 AU600 (PIO)
Language	English
Rev. Date	4/23/2019

Accessory: **Illuminated Door Scuff Plates**

Difficulty: (B)

Note: Difficulty stated above reflects the minimum level of expertise required to install the accessory:
 (A) Customer
 (B) Dealer Technician
 (C) Master Technician or Specialist

Instructional Symbols / Definitions

	Denotes warnings that may lead to serious physical injury or vehicle damage		Denotes quality processes to be checked prior to moving to the next step	Denotes personal protective equipment (PPEs) that may be required for a step. Examples of safety equipment icons noted below:	
	Denotes cautions to be taken to avoid physical injury or electronic component damage		Denotes specific tools that are necessary to complete a step		
	Denotes cautions to be taken to avoid vehicle and component damage	NOTE	Denotes important information to be reviewed during the step		

Basic Required Tools

Plastic Trim Removal Tool	Clean Cloth	Masking Tape	50/50 Isopropyl Alcohol (70%) and Water

Part Weight (Gross)

0.43	kg
0.94	lbs

FMVSS 110 Compliance Information

All dealers must determine if the Net weight they have added in the form of all options or accessories, when added to the weight of all Port/Dealer Installed options or accessories, exceeds the lesser of 1.5% of GVWR or 100 lbs. If the additional weight does exceed the lesser of the indicated thresholds, a "Load Carrying Capacity Reduced" label must be installed. A black, fine-point, indelible marker must be used to write by hand onto the label, the reduced carrying capacity in kilograms or pounds, which is the total weight of all added options and accessories.
Load Label Part Number: NP070 - 09003

Notes to the installer:

- 1) Read the entire Installation Instructions prior to beginning the installation of the part.
- 2) Make sure the vehicle is completely clean and dry in the area(s) the part is to be installed.
- 3) Ensure the vehicle is properly protected in the area(s) that the accessory is to be installed.
- 4) NEVER place tools on painted surfaces, seating surfaces, dash pad, console or floor carpet/mats.
- 5) Always wear appropriate personal protective equipment, including gloves, safety glasses, etc., when required.


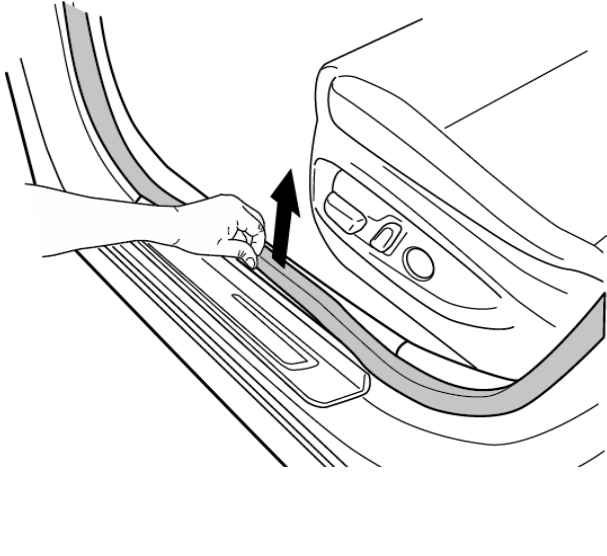

Kit Overview


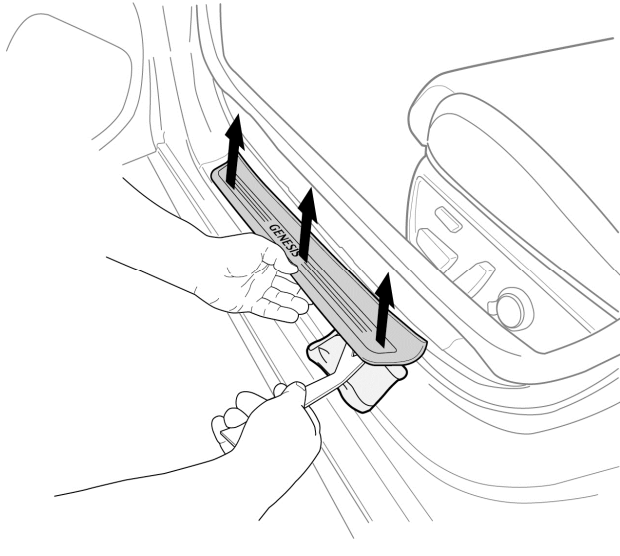

No.	Qty	Description
1	1	Illuminated Door Scuff Plate, Left (Driver) Front
2	1	Illuminated Door Scuff Plate, Right (Passenger) Front
3	2	Hardware Bag, Battery
4	1	Hardware Bag, Magnets & Attachment Tape
5	1	Battery Location Template
6	1	Battery Replacement Guide


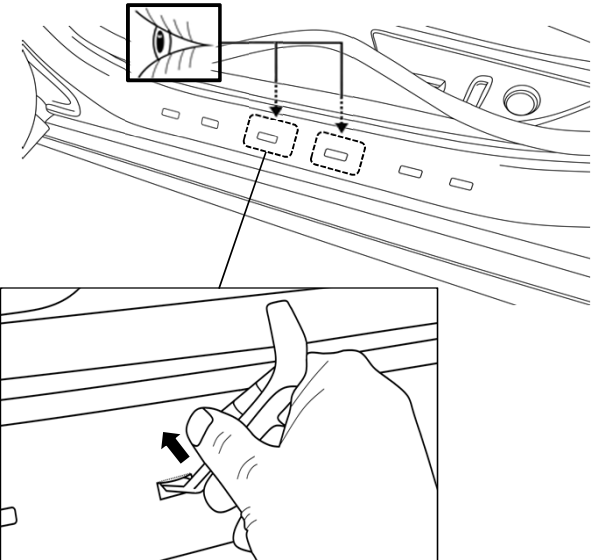

Hardware Kit Contents


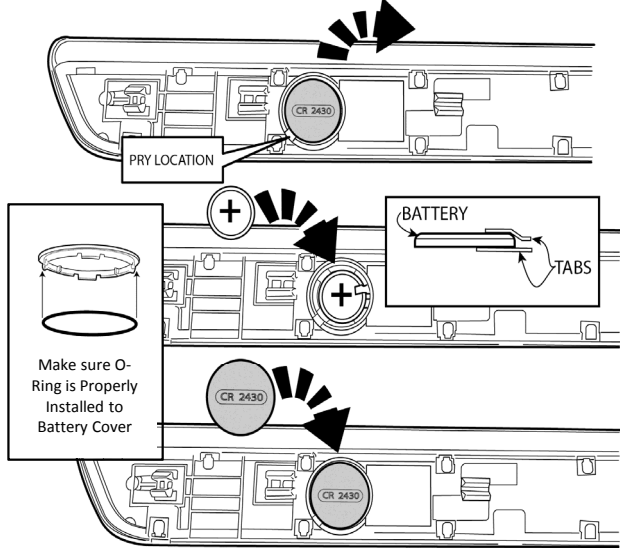

A		B		C	
2	Magnet	2	Magnet Tape	2	CR2430 Battery


Hardware Total
6

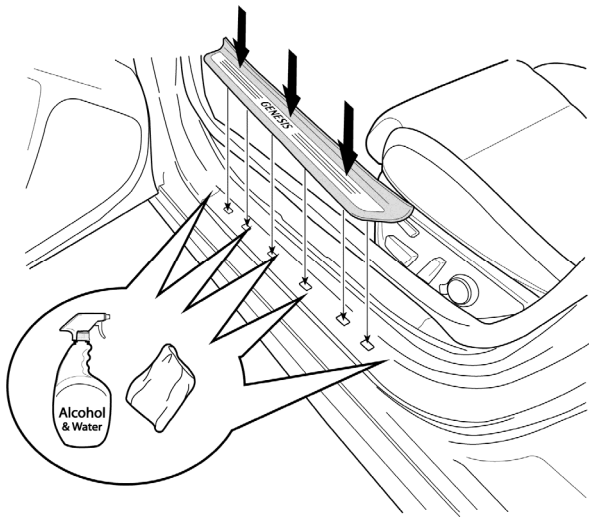
1		
		
N O T E	<p>A. Open the Driver's side door. B. Dislodge the weatherstrip near the factory Door Scuff Plate.</p>	
	<p>CAUTION! Be careful not to tear the rubber seal when dislodging.</p>	

2		Plastic Trim Removal Tool, Clean Cloth
		
N O T E	<p>A. Carefully remove the factory Door Scuff Plate by prying upwards with a Plastic Trim Removal Tool. Note: Place a Clean Cloth under the tool to prevent damage to the vehicle's paint as shown. B. Discard the factory Door Scuff Plate.</p>	
	<p>CAUTION! Do not damage the vehicle paint when removing the factory Door Scuff Plate.</p>	

3		Plastic Trim Removal Tool
		
N O T E	<p>A. Carefully inspect the two (2) center clip holes in the side door sill and ensure the surrounding metal edges around the holes are straight. B. If the surrounding metal edge(s) around the holes is (are) pressed in, use a Plastic Trim Removal Tool to pry the metal upwards to straighten using the inner base of the hole for leverage. DO NOT use the opposite side metal edge of the clip hole for leverage.</p>	
	<p>CAUTION! The surrounding metal around the clip holes must be straight to properly secure the Illuminated Door Scuff Plates.</p>	

4		
		
N O T E	<p>A. Identify the battery covers located on the underside of the Illuminated Door Scuff Plates. The battery covers are labeled CR 2430. B. Remove battery covers. C. Install batteries from hardware kit as shown. Make sure the battery is installed with the positive side placed up as shown. D. Make sure O-Ring is properly located and replace the battery covers.</p>	
	<p>CAUTION! Be careful not to damage the electrical terminals when performing this step.</p>	

5  50/50 Isopropyl Alcohol (70%) and Water, Clean Cloth




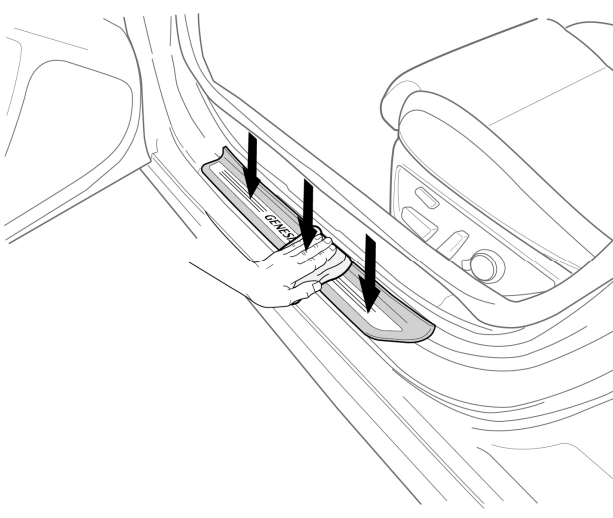
NOTE

A. Using a 50/50 Isopropyl Alcohol (70%) and Water solution, clean the driver's side door sill as shown. Using a Clean Cloth, make sure the driver's side door sill area is completely dry.

B. Position the Driver's (L) Illuminated Door Scuff Plate by aligning the six (6) plastic clips as shown.

CAUTION! Before proceeding to step 6, confirm the door scuff is properly aligned.

6  Clean Cloth




NOTE

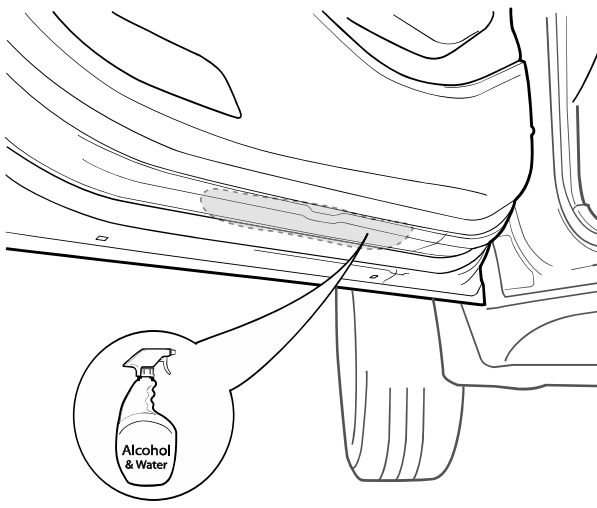
A. Press down firmly using a Clean Cloth on top of each clip position to fully engage the clips. An audible "click" (6 clips) will be heard when each plastic tab is fully engaged.

NOTE: If one (1) or more clips do not engage, follow the troubleshooting section at the end of these installation instructions.

B. Reinstall weatherstrip.


CAUTION! After the installation, confirm that there is no excessive gap between the scuff plate and the vehicle panel.

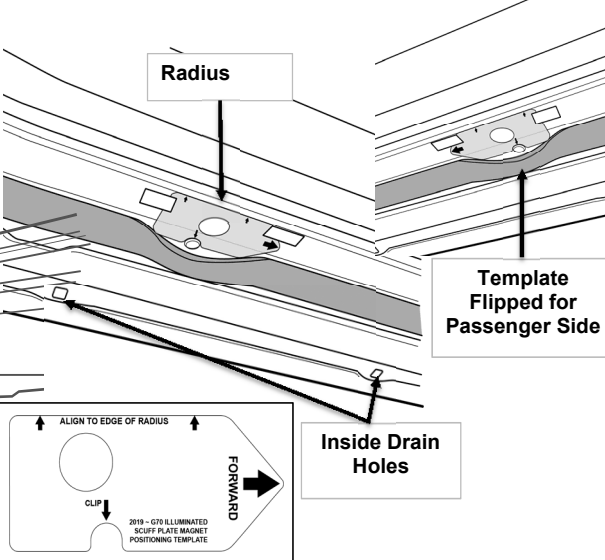
7  50/50 Isopropyl Alcohol (70%) and Water, Clean Cloth



NOTE

A. Using a 50/50 Isopropyl Alcohol (70%) and Water solution, clean the underside of the driver's door as shown.

8  Masking Tape




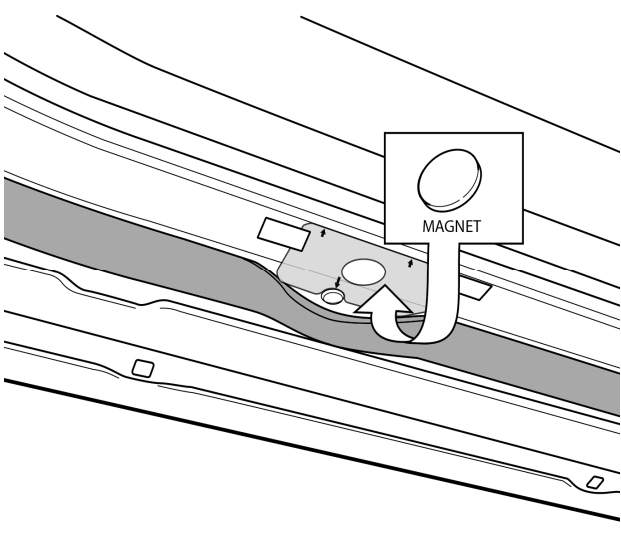

NOTE


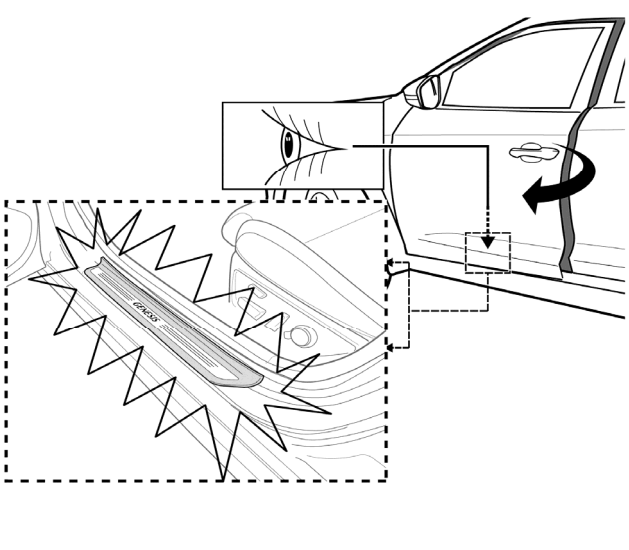
A. Locate the plastic tab under the door rubber strip which is between the two drain holes on the door panel as shown.


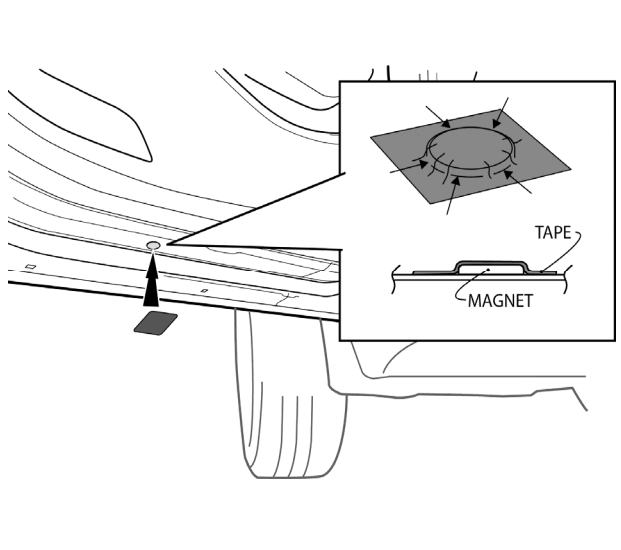
B. Attach the driver's side magnet position template to the underside of the driver's door as shown.


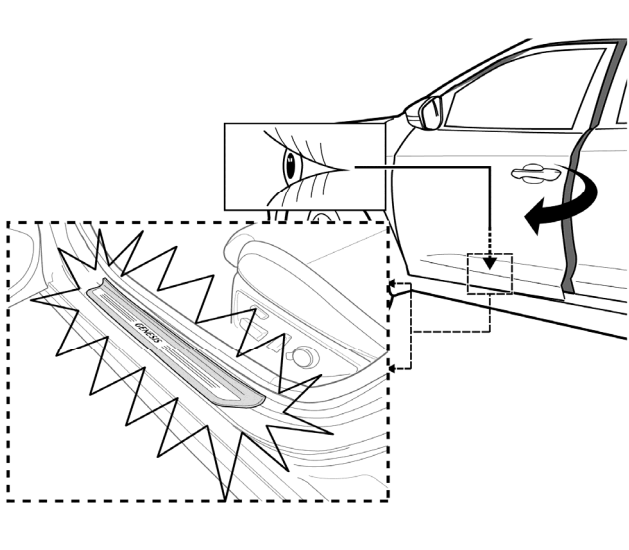
C. Install the template notch around the plastic clip and align the inner straight edge of the template to the radius of the door.

D. Tape the template in position.

9	
	
N O T E	<p>A. Place one (1) provided magnet into the hole in the template. B. Remove the template and set aside. (template to be used on passenger side) C. Close the driver's door.</p>
	<p>CAUTION! Do not slam the door. Slamming the door may move the magnet.</p>



10	
	
N O T E	<p>A. Open the driver's door, and confirm the Scuff Plate illuminates. If the Scuff Plate does not illuminate, the magnet may be in the wrong position. Recheck the position by going back to Step 8 and 9.</p>

11	
	
N O T E	<p>A. Remove the liner from one (1) Magnet Tape. B. Position the Magnet Tape over the magnet. C. Press the Magnet Tape firmly to ensure proper adhesion to the door frame. D. Apply pressure around the Magnet to reduce the air pockets in the Magnet Tape. E. Close the driver's door. Open the driver's door, and confirm the Scuff Plate illuminates. F. Repeat steps 1 through 11 for passenger side of vehicle.</p>


12	 50/50 Isopropyl Alcohol (70%) and Water, Clean Cloth
	
N O T E	<p>A. Perform the Function Check and Visual Check at the end of the installation instructions for both Driver and Passenger Illuminated Scuff Plates. B. Remove and discard the protective film from each Illuminated Scuff Plate. C. Using a 50/50 Isopropyl Alcohol (70%) and Water solution, clean the Driver and Passenger Illuminated Scuff Plates to remove any dirt or tape residue.</p>

Genuine Accessories




Visual Check

Item to be Checked		Result	
	Ensure the scuff plates are fully secured to the vehicle.	Scuff plates are not loose or misaligned.	
	Ensure the scuff plates are not damaged.	Scuff plates function properly and have no cosmetic defects.	

Function Check

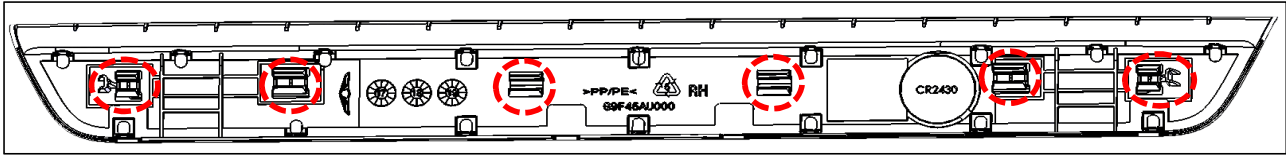
Item to be Checked		Result	
	Each scuff plate illuminates when the door is opened.	The scuff plate illuminates properly when the door opens. The scuff plate light does not blink.	

Troubleshooting

Issue / Concern		Items to be Checked	
	The scuff plate does not illuminate properly.	Check that the magnet is still properly adhered to the vehicle. Check that the magnet is properly aligned by using the template. Check that the batteries are not fully discharged.	
	The scuff plate is not fully secured to the vehicle.	Check step 3 and ensure the metal surround of the clip holes are straight.	
	The scuff plate is not fully secured to the vehicle.	<ul style="list-style-type: none"> Perform Procedure 1 below. If procedure 1 is unsuccessful, perform Procedure 2 below. 	

Procedure 1:

- A. Alcohol, Soap & Water (SLIP) Mixture: Mix 2 oz. of water, 2 oz. alcohol (70% Isopropyl) & 0.25 ml of baby shampoo in a trigger type spray bottle.
 B. Lubricate the six (6) clips with "SLIP" mixture. Do not use grease or other unapproved lubricants.
CAUTION: Avoid getting liquid near the battery cover.



Procedure 2:

- A. Using pliers, carefully pinch the clip(s) that have not engaged during prior installation attempts.
CAUTION: Take care to not squeeze the clip(s) at an angle or apply excessive pressure.

