

# Genuine Accessories



Vehicle Model: G70

Accessory: Pedal Kit (AT)

Model Year 2019-  
 Part No. G9F05 AK100  
 Language English  
 Rev. Date 4/16/2018

Difficulty: ( B )

**Note:** Difficulty stated above reflects the minimum level of expertise required to install the accessory:  
 (A) Customer  
 (B) Dealer Technician  
 (C) Master Technician or Specialist

### Instructional Symbols / Definitions

	Denotes warnings that may lead to serious physical injury or vehicle damage		Denotes quality processes to be checked prior to moving to the next step	Denotes personal protective equipment (PPEs) that may be required for a step. Examples of safety equipment icons noted below:	
	Denotes cautions to be taken to avoid physical injury or electronic component damage		Denotes specific tools that are necessary to complete a step		
	Denotes cautions to be taken to avoid vehicle and component damage	<b>N O T E</b>	Denotes important information to be reviewed during the step		
				Glasses	Gloves
				Mask	Hearing Protection

### Basic Required Tools

Ratchet	10mm Socket	Extension	Torque Wrench	Trim Removal Tool

### FMVSS 110 Compliance Information

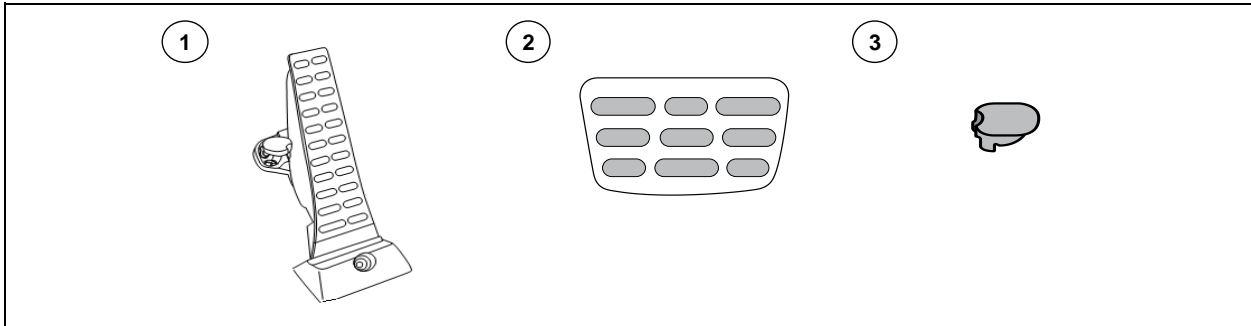
All dealers must determine if the weight they have added in the form of all options or accessories, when added to the weight of all Port/Dealer Installed options or accessories, exceeds the lesser of 1.5% of GVWR or 100 lbs. If the additional weight does exceed the lesser of the indicated thresholds, a "Load Carrying Capacity Reduced" label must be installed. A black, fine-point, indelible marker must be used to write by hand onto the label, the reduced carrying capacity in kilograms or pounds, which is the total weight of all added options and accessories.  
**Load Label Part Number: NP070 - 09003**

### Notes to the installer:

- 1 Read the entire Installation Instructions prior to beginning the installation of the part.
- 2 Make sure the vehicle is completely clean and dry in the area(s) the part is to be installed.
- 3 Ensure the vehicle is properly protected in the area(s) that the accessory is to be installed.
- 4 NEVER place tools on painted surfaces, seating surfaces, dash pad, console or floor carpet/mats.
- 5 Always wear appropriate personal protective equipment, including gloves, safety glasses, etc., when required.


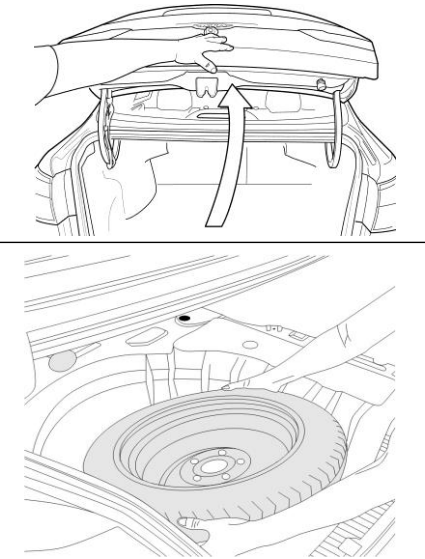

Part Weight (Gross)	<b>1.07</b>	lbs
	<b>0.49</b>	kg


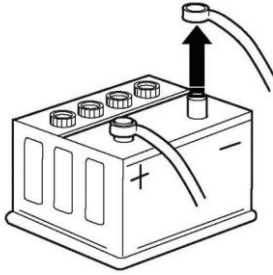


### Kit Overview


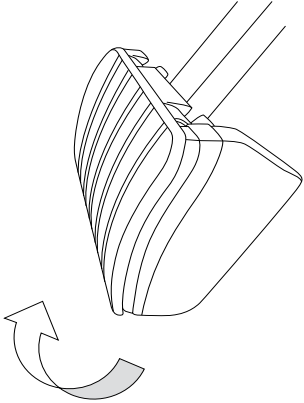



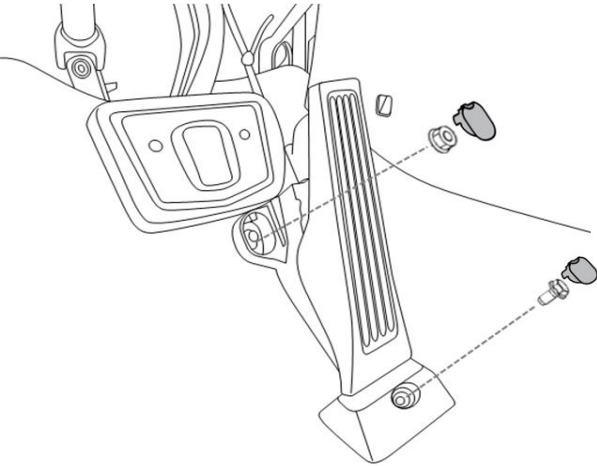
No.	Qty	Description
1	1	Accelerator Pedal Assembly
2	1	Brake Pedal Pad
3	1	Lower Bolt Cap

## Genuine Accessories


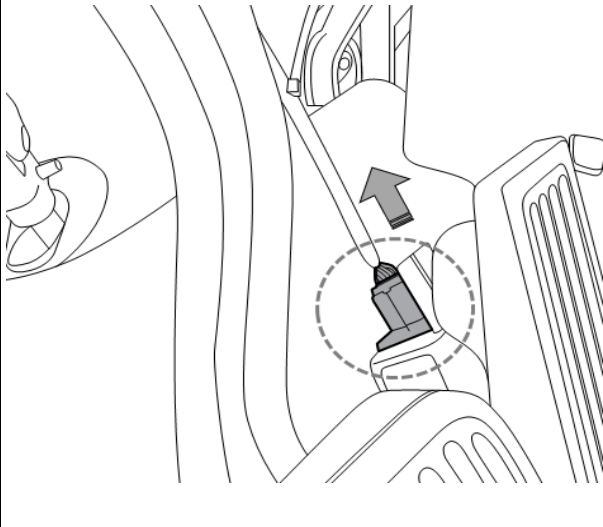

1		
		
N O T E	<p>A. Open trunk lid and remove load floor.                  B. Remove tool kit case.                  C. Remove spare tire.                  D. Place all removed parts in a safe location for reinstallation.</p>	
	<p>Use caution when removing spare tire kit, so as to avoid causing damage to the trunk sill and rear bumper.</p>	


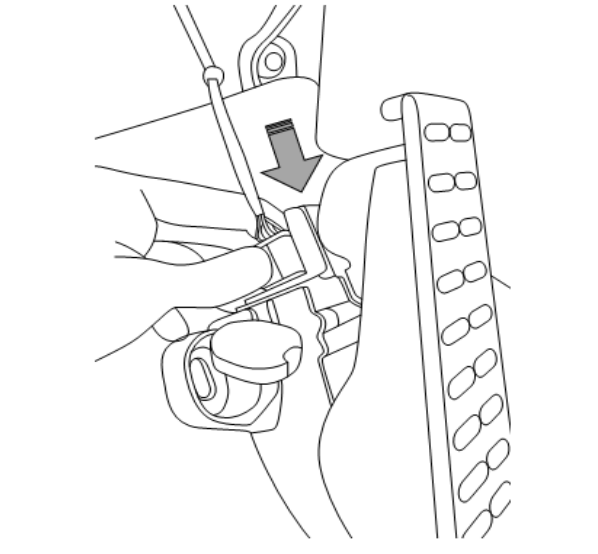

2		10mm Socket, Extension, and Ratchet
		
		
N O T E	<p>A. Disconnect and isolate vehicle's negative battery cable.</p>	
	<p><b>WARNING!</b> Shock Hazard. Do not touch vehicle's negative battery terminal to vehicle's positive battery terminal. Serious injury and damage to the vehicle may occur.</p>	


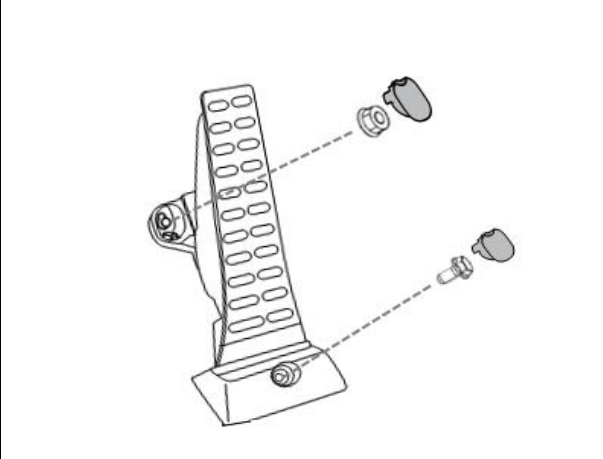
3		
		
N O T E	<p>A. Temporarily remove the left front floor mat from the vehicle.                  B. Detach the Rubber Pad from the Brake Pedal by pulling the right and left edges of the Rubber Pad away from the Brake Pedal and lift up as shown.                  C. Discard the Rubber Pad.</p>	


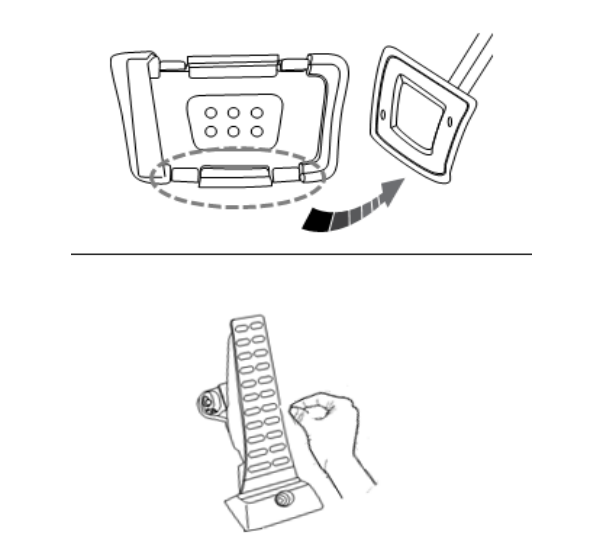

4		Trim Removal Tool, Ratchet, Extension and 10mm Socket
		
N O T E	<p>A. Remove the upper and lower caps from the Accelerator Pedal Assembly using a trim removal tool.                  B. Store the upper cap in a safe location for reinstallation later. Discard the lower cap.                  C. Remove the upper nut from the Accelerator Pedal.                  D. Remove the lower bolt from the Accelerator Pedal.                  E. Save the nut and bolt for reinstallation later.</p>	

## Genuine Accessories


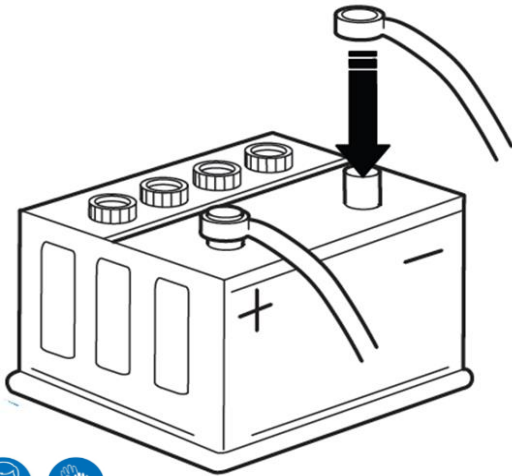



5		
		
N O T E	<p>A. Disconnect the Electrical Connector from the Accelerator Pedal Assembly by pressing the side release tab and then pull the connector up and away from the Accelerator Pedal Assembly.</p> <p>B. Discard the Accelerator Pedal Assembly.</p>	
		
<p>Be careful not to pull on the wire harness when disconnecting the electrical connector to avoid damage.</p>		


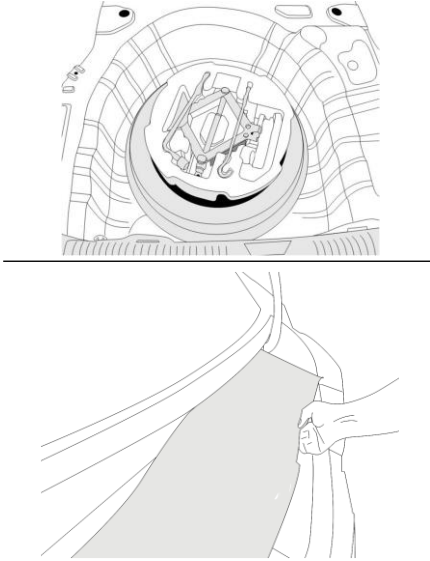

6		
		
N O T E	<p>A. Connect the Electrical Connector to the provided Accessory Accelerator Pedal Assembly as shown.</p>	
		
<p>Make sure the Electrical Connector makes an audible 'click' noise to confirm that it is fully connected to the Accessory Accelerator Pedal Assembly.</p>		

7		Ratchet, Extension, 10mm Socket and Torque Wrench
		
<p>Torque: 12.8 ~ 15.7 N.m (1.3 ~ 1.6 kgf.m, 9.4 ~ 11.6 lb-ft)</p>		
N O T E	<p>A. Install the Accessory Accelerator Pedal Assembly over the stud and then reinstall the upper nut and lower bolt.</p> <p>B. Torque the upper nut and lower bolt to: 12.8 ~ 15.7 N.m (1.3 ~ 1.6 Kgf.m, 9.4 ~ 11.6 lb-ft).</p> <p>C. Reinstall the upper nut cap removed in step 3 and then install the provided Lower Bolt Cap as shown.</p>	





8		
		
N O T E	<p>A. Install the provided Accessory Brake Pedal Pad onto the Brake Pedal by engaging the lower hook of the pad to the brake pedal, then the left and right edges as shown.</p> <p>B. By hand, apply pressure to the upper part of the Accessory Brake Pedal Pad until an audible 'click' is heard.</p> <p>C. Remove the Protective Film from the Brake Pedal Pad and Accessory Accelerator Pedal Assembly.</p> <p>D. Reinstall the Floormat. Ensure that Floormat Anchors are installed correctly.</p>	
		
<p>Ensure that Floormat Anchors are installed correctly.</p>		

## Genuine Accessories

9		10mm Socket, Extension, Ratchet, and Torque Wrench
		
<div style="display: flex; justify-content: space-between; align-items: center;">   </div>		
N O T E	<p>A. Reconnect the Negative Battery Cable to the Battery and Torque to: 5.0 – 6.0 N.m (0.50 – 0.60 kgf.m, 45 – 52 lb-in).</p> <p>B. Perform the Function Check.</p>	
	<p><b>WARNING!</b> Shock Hazard. Do not touch vehicle's negative battery terminal to vehicle's positive battery terminal. Serious injury and damage to the vehicle may occur.</p>	

10		
		
N O T E	<p>A. Reinstall spare tire and tool case. B. Reinstall load floor. C. Close trunk.</p>	
	<p>Use caution when reinstalling spare tire kit, so as to avoid causing damage to the trunk sill and rear bumper.</p>	

### Visual Check

	Item to be Checked
	Do not leave any tools in the engine compartment or on the battery after removing the negative battery cable.
	Check that the accelerator pedal functions as intended. Start vehicle, keep gear selector in park, and apply gentle pressure to the accelerator pedal. Do NOT test drive vehicle.
	Make sure the connector is fully locked into the accessory accelerator pedal socket.
	Brake pedal pad is fully engaged onto brake pedal and not loose.

	Result
	No tools in engine compartment or on battery.
	Accessory accelerator pedal does not bind and operates as intended.
	Electrical connector locked into accessory accelerator pedal socket.
	Brake pedal pad properly installed and locked onto brake pedal.